



Ansen Security Networks

Suite 907 , Kenning Industrial Building , 19 Wang Hoi Road , Kowloon Bay , Hong Kong.

Tel : (852) 2331 2776

Fax : (852) 2331 2981

email : asn@ansen.com

Mobile Phone Jammer

Model No. : 2200 Dual-Bands Frequency Range

This unique Jammer ensure a mobile phone communication free environment for desired period of time and control compound or to avoid information being disclosed secretly during meetings. And yet, it is jamming silently without mobile phone users' awareness.



Specification :

- Effective system : GSM 900 and 1800 MHz
- Power input : 5 VDC
- Power output : 30 dBm (1W)
- Range of coverage : A sphere area with radius of 20 meters
- Frequency bands : dual-bands
- Accessory : AC/DC adapter
- Operating temperature range : -10°C ~ +55°C
- Size : 115 (W) x 65 (D) x 140 (H) mm
- Weight : 1.5 Kgs.



Ansen Security Networks

Suite 907 , Kenning Industrial Building , 19 Wang Hoi Road , Kowloon Bay , Hong Kong.

Tel : (852) 2331 2776

Fax : (852) 2331 2981

email : asn@ansen.com

Description :

The Model 2200 is a Jammer that transmits low power radio signals, which cut-off communications between cellular handsets and cellular base-stations. It can be digitally controlled (calibrated) to form quiet zones in confined places. This function of calibration allows the Model 2200 to be used safely in hospitals, where there is sensitive electronic equipment nearby. Model 2200 does not interfere with any communications other than cellular signals within the quiet zone and does not interfere with cellular communications outside the regulated area.

The unit is available in up to 2 channels, and Jammer for minority networks can be manufactured to order. Each channel module has an external antenna and maximum output power of 1 W.

The above systems utilize a unique transmission method that confuses the decoding circuits of cellular handsets as if no cellular base station is within the service area. Upon activating Model 2200, all idle phones will indicate " NO SERVICE ". Consequently, all mobile phone calls already in progress within the defined area will be cut-off and the radio link will be lost. When activated, incoming calls are handled as if the cellular handset is OFF and calls may be routed into a voice mailbox. When Model 2200 is turned off, all cellular handsets will automatically re-establish communications with the cellular network.





Ansen Security Networks

Suite 907 , Kenning Industrial Building , 19 Wang Hoi Road , Kowloon Bay , Hong Kong.

Tel : (852) 2331 2776

Fax : (852) 2331 2981

email : asn@ansen.com

Applications :

The Model 2200 Mobile Phone Jammer has been specifically designed for the following commercial and professional applications:

- Conferences and business meetings
- Work places and factory
- Places of ship , train and bus
- Public libraries , classroom and training center
- Museum and gallery
- Church, temple and masque
- Theatre and concert hall
- Bank , restaurant and jail
- Places of public entertainment
- Hospitals and where for the security purpose is, etc.

Safety :

1. When being operated, your jammer should be a minimum of 1M from personnel except for very short periods of time.
2. With regards placing the jammer near sensitive or vital electronic equipment, a competent engineer or technician with knowledge of the equipment should be consulted.
3. When operating any mobile phone jammer, the user should be aware that emergency communications can also be blocked. It is good practice to display a sign such as " Doctors please note that mobile phone reception is poor in this building " when the jammer is being used in a public place.
4. Never operate a mobile phone jammer of any description in an aircraft.



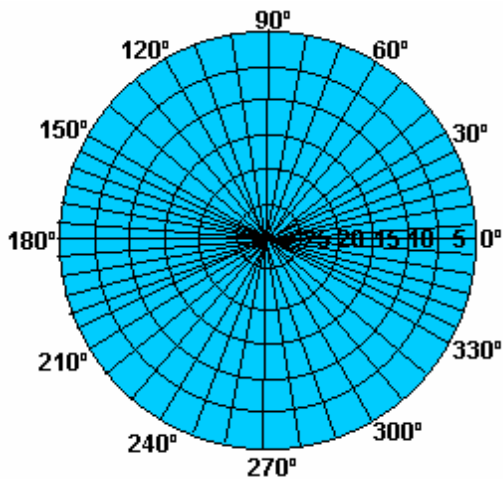
Ansen Security Networks

Suite 907 , Kenning Industrial Building , 19 Wang Hoi Road , Kowloon Bay , Hong Kong.

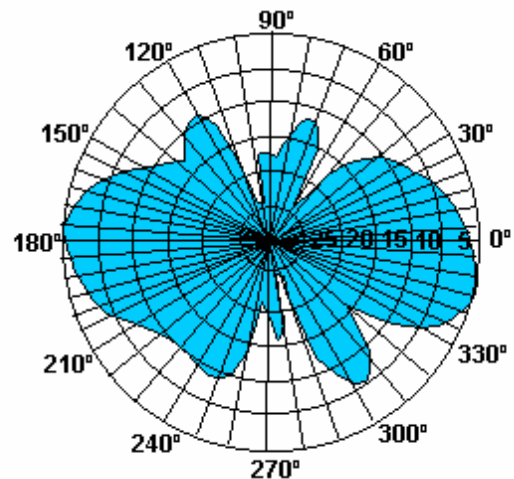
Tel : (852) 2331 2776

Fax : (852) 2331 2981

email : asn@ansen.com



Horizontal Beamwidth 360°



Vertical Beamwidth 28°

Polarization : Vertical

VSWR : =1.4

Nominal Impedance : 50Ω

Installation :

1. To ensure the best performance, please kindly check in exact system frequency range when ordering.
2. The best location for mobile phone jammer is on the vertical position , and try to turn to different positions for testing.
3. If the power is turned on without attached the antennas, the jammer could take severe damage from the reflection power effect.
4. The reflection time of jammer is around 10 ~ 20 seconds after it is turned on.
5. The effective distance 20 meters radius might be affected by the base station or other interruption.
6. Don't use any metallic material covering the jammer.



Ansen Security Networks

Suite 907 , Kenning Industrial Building , 19 Wang Hoi Road , Kowloon Bay , Hong Kong.

Tel : (852) 2331 2776

Fax : (852) 2331 2981

email : asn@ansen.com

Antenna Attachment :

After the installation of main body, the antenna must be attached. If you turns the power on without the antenna attachment, the jammer could take severe damage from the reflection power effect.

Please make sure the antenna to locate following :

- Longer antenna for GSM 900MHz bandwidth shielding.
- Shorter antenna for GSM 1800MHz bandwidth shielding.

RF Power Modulation :

The jammer's RF power was modulated at the highest level before the shipment. Excessive power always gives critical damage to the jammer. So, please handle carefully when doing for modulation.

Maintenance :

Periodically wipe dust from the unit with a soft dry cloth. Do not allow the unit to come into contact with moisture or liquid. Do not open the case as this voids the warranty.